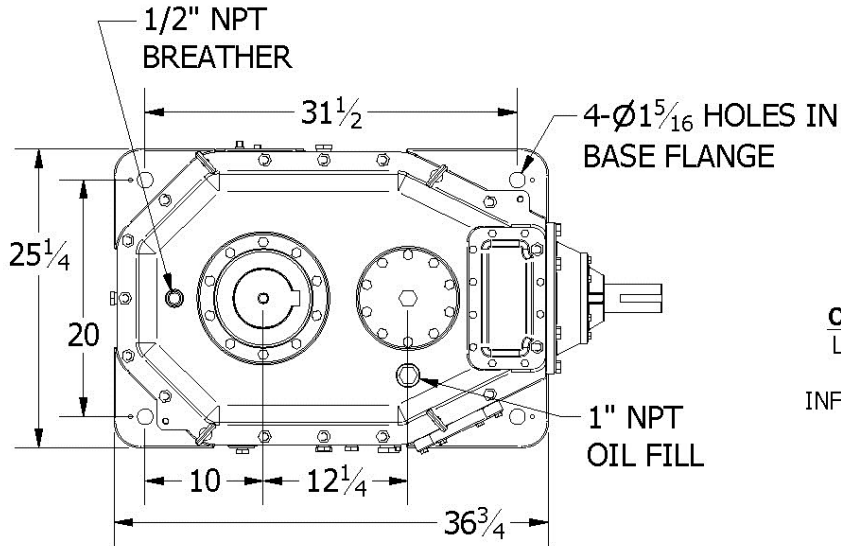


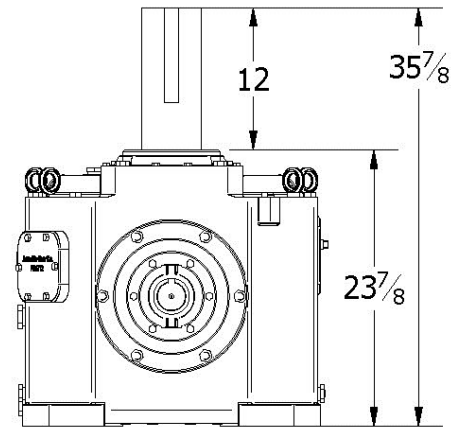
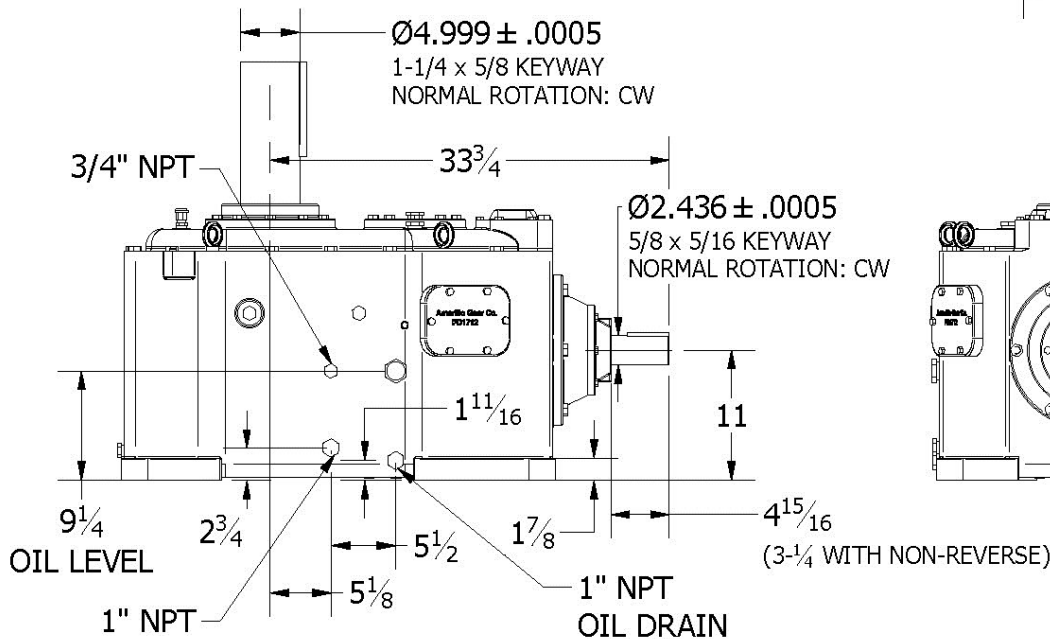
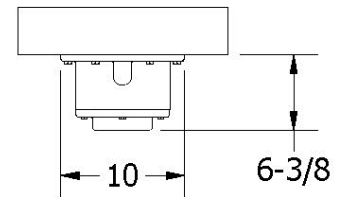
Amarillo Series Fan Drive

Model 1712



Amarillo Gear Company LLC reserves the right to make design modifications to our gear drives that may change the given dimensions. The dimensions shown in this document may not exactly reflect the dimensions of gear drives currently being offered. Request a *certified dimension print* for construction use.

OIL PUMP (OPTION) MINIMUM CLEARANCE
LOCATED BENEATH THE INTERMEDIATE SHAFT.
CONTACT THE FACTORY FOR ADDITIONAL
INFORMATION AND A CERTIFIED DIMENSION PRINT.



SERVICE HORSEPOWER RATINGS (2.0 SERVICE FACTOR)

Input (RPM)	Nominal Ratio												
	9	9.5	10.5	11	12	12.5	13	14	15	15.5	16	17	18
1750	312	300	280	271	255	255	241	229	214	207	200	188	178
1450	259	249	232	225	211	211	200	190	177	171	166	156	147
1160	207	198	186	180	169	169	160	152	142	137	133	125	118

THRUST CAPACITY: _____ 8900 lbs.
 OIL TYPE: _____ ISO 220 / AGMA 5 or 5S / No EP additives
 OIL CAPACITY: _____ 21 gallons (80 L)
 WEIGHT, DOMESTIC SHIPPING: _____ 2125 lbs.
 WEIGHT, EXPORT SHIPPING w/EXPORT BOX: _____ 2230 lbs.
 EXPORT BOX DIMENSIONS (L x W x H): _____ 50 x 30 x 44 (inches)