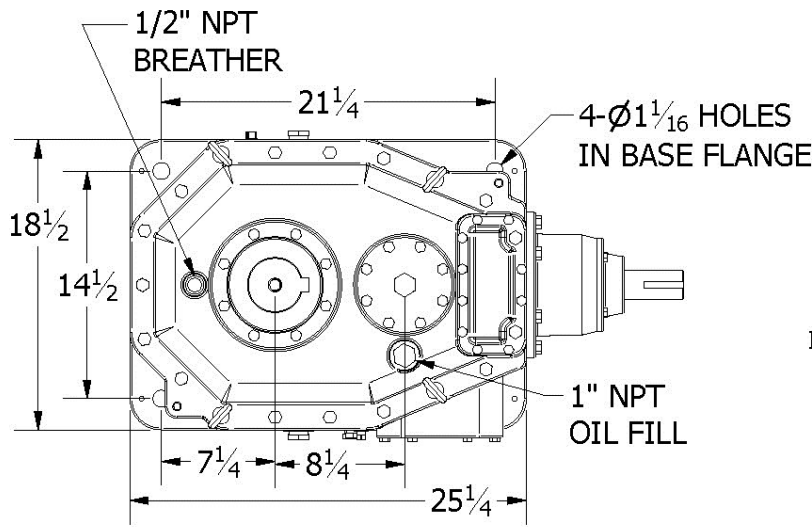


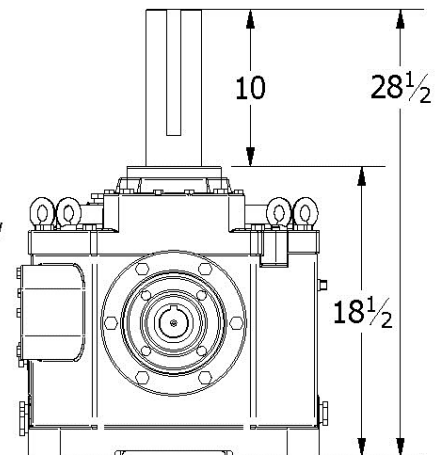
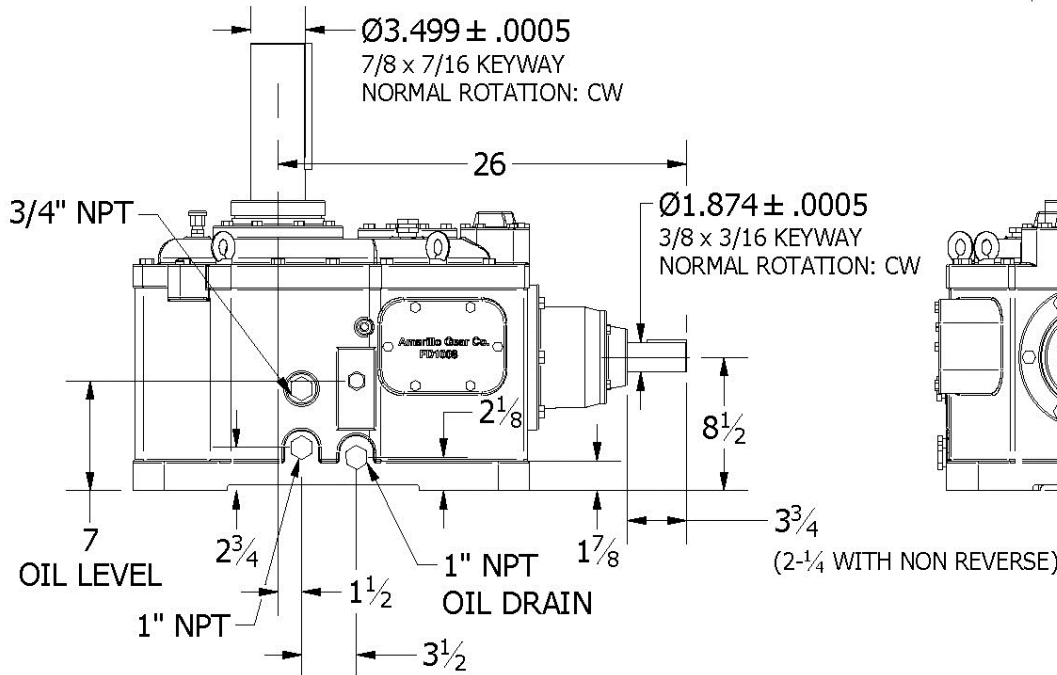
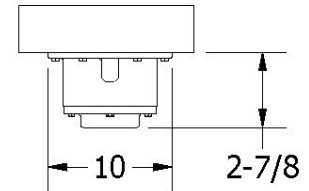
# Amarillo Series Fan Drive

## Model 1008



Amarillo Gear Company LLC reserves the right to make design modifications to our gear drives that may change the given dimensions. The dimensions shown in this document may not exactly reflect the dimensions of gear drives currently being offered. Request a *certified dimension print* for construction use.

**OIL PUMP (OPTION) MINIMUM CLEARANCE**  
LOCATED BENEATH THE INTERMEDIATE SHAFT.  
CONTACT THE FACTORY FOR ADDITIONAL  
INFORMATION AND A CERTIFIED DIMENSION PRINT.



**SERVICE HORSEPOWER RATINGS**  
(2.0 SERVICE FACTOR)

Input (RPM)	Nominal Ratio										
	7.5	8	8.5	9	9.5	10	10.5	11	12	13	14
1750	100	100	100	100	95	90	86	82	75	75	60
1450	83	83	83	83	79	75	71	68	62	62	50
1160	66	66	66	66	63	60	57	54	50	50	40

THRUST CAPACITY: \_\_\_\_\_ 3800 lbs.  
 OIL TYPE: \_\_\_\_\_ ISO 220 / AGMA 5 or 5S / No EP additives  
 OIL CAPACITY: \_\_\_\_\_ 6 gallons (23 L)  
 WEIGHT, DOMESTIC SHIPPING: \_\_\_\_\_ 875 lbs.  
 WEIGHT, EXPORT SHIPPING w/EXPORT BOX: \_\_\_\_\_ 980 lbs.  
 EXPORT BOX DIMENSIONS (L x W x H): \_\_\_\_\_ 40 x 27 x 41 (inches)