

INSTALLATION MANUAL



Adjustable Pitch Fan Assembly 8' through 10' Diameter

Hudson Tuf-Lite II[®] fan blades

Hudson Tuf-Lite II[®] (White) are made from fiberglass reinforced vinyl-ester resin having a very high strength-to-weight ratio and superior ultra-violet and corrosion resistance. An elastomeric blade/holder joint cover (not shown) prevents moisture from entering (shown above).

The individually balanced blades can be replaced independently - matched sets are not required.

This is a new manual showing the latest Hudson fan line. This fan line includes 8 ft - 10 ft diameter and blade counts from 4 - 15 inclusive. For the original Series 3000 fans in the 11 ft - 14 ft diameter range having 7 - 9 blades, the hubs are identical to the original 3000H family, which means that the HC blades can be used to replace the H blades in those fans - if all blades are changed at one time. For those new fans outside this core family, different hub and seal disc sizes are utilized, as shown in the Parts List on Page 6 of 8. This same list shows the original fans highlighted.

RECOMMENDED TOOLS

- Long T-Handle Allen Wrench Set (3/16" to 3/8")
 - Medium Size Flat Head Screw Driver
 - Brass Ball Peen Hammer
 - Flat Bastard File
 - 240 Grit Sand Paper
 - Anti-Seize Lubricant
 - WD-40
 - 12" Crescent Wrench
- Shop Towels
 - Exact-A-Pitch® Digital Protractor (P/N 62375)
 - 25 ft. Measuring Tape
 - Pencil or Marker
 - Open/Box End Wrench Set (1/2" – 1-1/2")
 - Socket Set for 1/2" Drive (1/2" – 1-1/2")
 - Torque Wrench(s) Rated for 0-200 ft-lb

INSTALLATION PROCEDURES

ASSEMBLY WITH BUSHING

Clean all mating surfaces between hub, bushing and shaft. All grease and lubricant should be removed, leaving the mating surfaces dry.

If there is no shoulder on shaft to prevent bushing from sliding down shaft, slide spacer/sleeve (not provided) on shaft before bushing. Slide bushing and key onto shaft until flush with end of shaft. The shaft size determines the bushing type (Q2 or R2). Lock bushing on shaft by tightening the set screw in flange with an Allen Wrench. (Note: Q2 bushings have no set screws.) Line up key and set hub on bushing. Engage the three (3) cap screws in flange of bushing into hub spool, using a torque wrench with a socket, and tighten evenly. Use the following table to determine the proper tools and torque values. Cap screw(s) for retainer plate are not required for bushing application.

Bushing Size	Allen Wrench Size	Cap Screw Size	Socket Size	Torque (ft-lb) Dry
Q2	-	3/8"	9/16"	29
R2	3/16"	3/8"	9/16"	29

ASSEMBLY WITH STRAIGHT SHAFT (NO BUSHING)

Clean all mating surfaces between the hub and the shaft. If there is no shoulder on shaft to prevent hub from sliding down shaft, slide spacer/sleeve (not provided) on shaft before hub. Install key in shaft. Line up key and keyway and set hub on shaft. Tighten set screw(s) in hub.

ASSEMBLY WITH TAPERED SHAFT (NO BUSHING REQUIRED)

Clean all mating surfaces between the hub and shaft. Align keyways and install hub. Install retainer plate and cap screw(s) with lock washer(s). Shaft size determines what size cap screw is necessary. Using a torque wrench with a socket, evenly tighten cap screw to recommended standard per table below.

Cap Screw Size	Socket Size	Torque Value (ft-lb)	
		Lubricated	Dry
5/8" NC	15/16"	80	90
3/4" NC	1-1/8"	100	110
1" NC	1-1/2"	150	160

NOTE: Retaining arrangement varies with gear shaft design.

BLADE INSTALLATION

To prevent installation problems, work on one blade at a time. Remove blade clamp bolts, nuts, lock washers, and blade clamp halves from hub. Discard the plastic shipping spacers between the upper and lower blade clamp halves. Assemble blade clamp halves over groove in blade neck, and install into hub (See Figure 1). The thick leading edge will be to your left and thin trailing edge will be to your right as you stand at end of blade.



Figure 1

Install clamp bolts through hub plates and blade clamp, putting bolt heads on top, lock washers and nuts on bottom (See Figure 2). Tighten lightly.

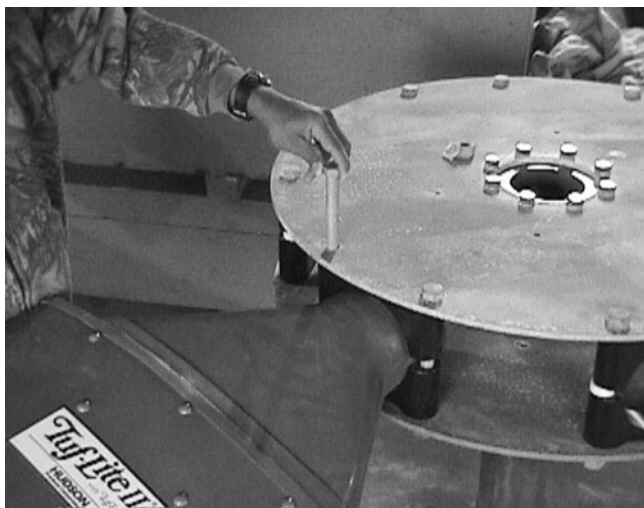


Figure 2

SET PITCH AND TRACK

Use Hudson's EXACT-A-PITCH® digital protractor (See Figure 3) or a bubble protractor to set blade pitch. Mount protractor on a flat bar as a base and place it approximately 1" from tip of blade. Note pitch on protractor. Rotate fan 360°, noting high and low pitch readings. Locate place where pitch reading is at mid-point between high and low readings, and set pitch at that point.



Figure 3

Rotate blade in clamp until digital protractor shows specified pitch angle to within $\pm 0.2^\circ$. *Fan pitch angle is shown on fan specification sheet for design duty.* After desired pitch angle is set, raise and lower end of fan blade and find midpoint of blade travel. Hold blade at the midpoint. Pull blade outward so that the blade neck flange rests against the back of the blade clamps. Push blade to the right to remove all slack.

Use torque wrench to tighten clamp bolts to 65 ft-lb (lubricated) or 80 ft-lb (dry). Re-check pitch setting. Blade must be set within $\pm 0.2^\circ$ of desired pitch angle. Tighten clamp bolts evenly. **DO NOT OVER-TORQUE CLAMP BOLTS.**

When bolts are tightened, hold a pencil against top end of blade and mark the level onto a fixed object, such as a pole or the fan ring.

Install remaining blades at same place as first blade, following the instructions above. After tightening bolts, mark top end of each blade in the same place first blade was marked. If marks differ by more than 1/2", adjust blade.

CHECK TRACK

After fan is installed in fan stack cylinder ring, outline the top side of each blade onto fan stack cylinder ring with a marker (See Figure 4). The difference between levels of highest and lowest outlines should not be more than 1/2". Correct blade track by loosening clamp bolts and adjusting blade to match track of other blades. Re-tighten bolts and re-check track and pitch angle setting. Re-tighten blade clamp bolts to recommended standard of 65 ft-lb (lubricated) or 80 ft-lb (dry) torque.



Figure 4



Figure 6

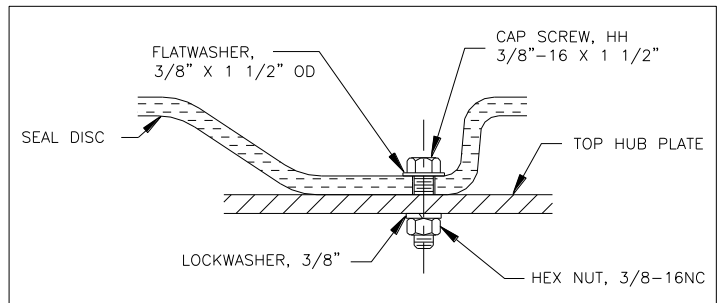


Figure 6a

For 10 to 15 Blades

Install 3/8" NC bolts at six (6) places on top hub plate (See Figure 7a & 7b). Threaded portion of bolts must be pointing up to mount seal disc. Install lock washer, nut, and flat washer on each bolt. Tighten 3/8" NC nuts to 15 ft-lb (lubricated) and 20 ft-lb (dry).

Locate the six (6) mounting holes in seal disc and install over the six (6) bolts pointing up on upper hub plate. If difficulty is encountered, loosen bolts on seal flanges until seal disc can be mounted, then re-tighten to 15 ft-lb (lubricated) or 20 ft-lb (dry).

SEAL DISC INSTALLATION

For 4 to 6 Blades

Install seal disc spacer and adapter assy as shown in Figures 5 at each of the seal disc mounting holes. Tighten to recommended standard of 15 ft-lb (lubricated) or 20 ft-lb (dry).

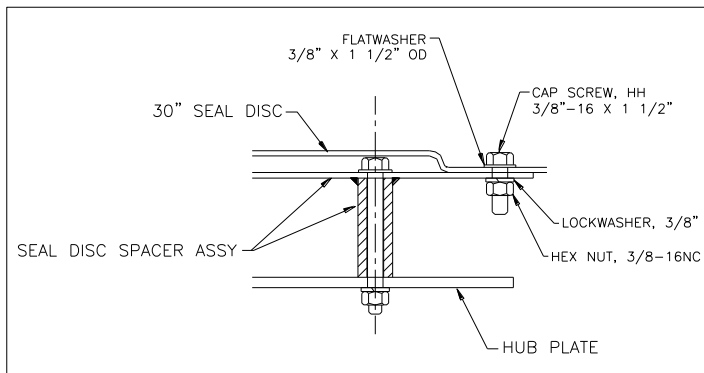


Figure 5

For 7 to 9 Blades

Fasten seal disc to top of hub with four (4) 3/8" cap screws, as shown in figures 6 and 6a. Tighten to recommended standard of 15 ft-lb (lubricated) or 20 ft-lb (dry).

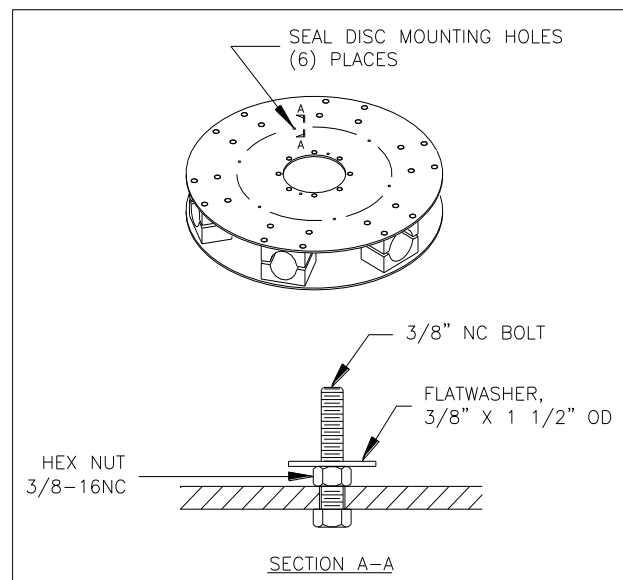


Figure 7a

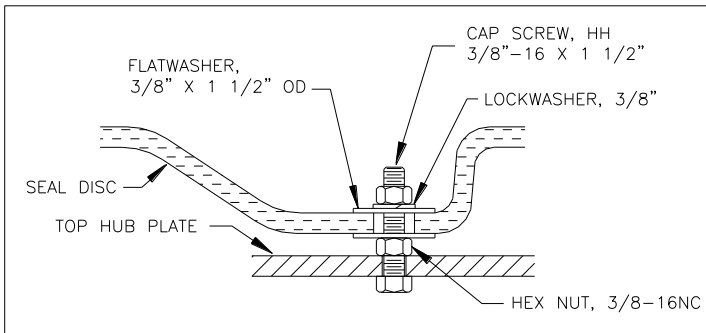


Figure 7b

NOTE: The purpose of the seal disc is to prevent hot air from recirculating back down through the hub, increasing efficiency.

CHECKING TIP CLEARANCE

Rotate fan in position inside fan ring or fan stack to check tip clearance (See Figure 8). The recommended tip clearance is shown in the table below. Check for spots where fan blade clearance is not within the recommended tolerance.

Fan Diameter	Minimum	Maximum
8' through 9'	1/4"	1/2"
>9' through 10'	1/4"	5/8"

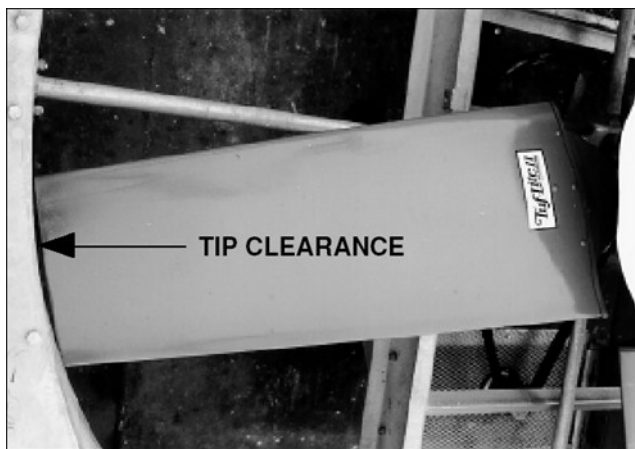


Figure 8

If necessary adjust fan ring or fan stack by shimming to obtain proper clearance. For heat exchangers, spacers may be added at the fan ring joints to increase clearance (See Figure 9). Use a chisel to maintain the correct gap until the bolts on the ring are re-tightened.



Figure 9

If a small adjustment is needed, tighten or loosen nut on fan strut in section requiring adjustment (See Figure 10).



Figure 10

OPERATING INSTRUCTIONS

Start fan and check rotation. Viewed from top (discharge), fan blades should rotate clockwise.

Check motor power consumption to be sure fan is pulling desired load. **CAUTION:** If positive pitch is set in summer to use all available motor amps (nameplate rating), motor could be overloaded in winter. Design pitch angles usually do not use all of the available motor horsepower. This ensures that the motors will not be overloaded at low winter temperatures.

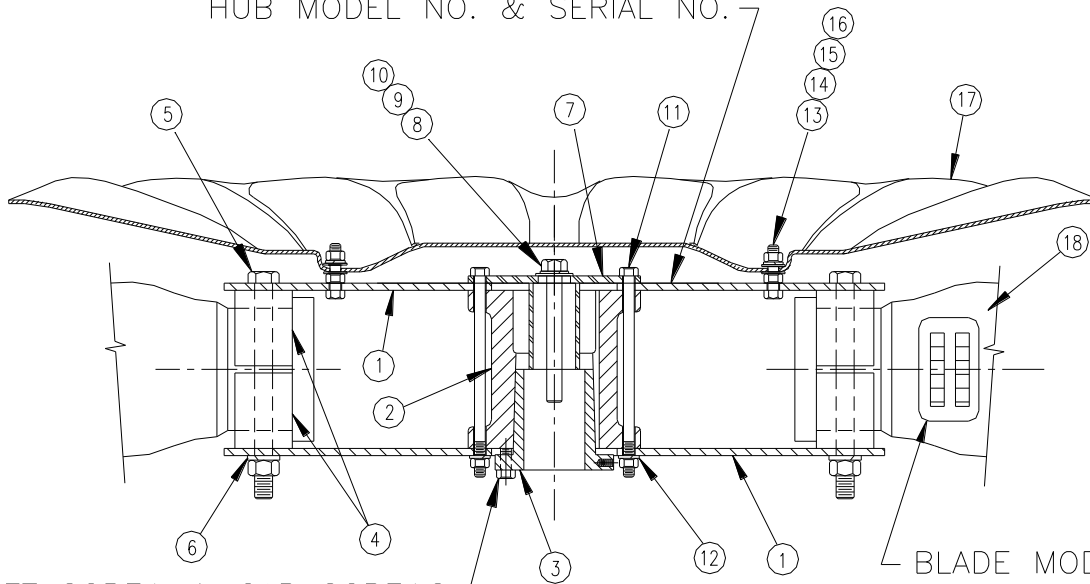
Parts List
HUDSON PRODUCTS CORPORATION
Adjustable Pitch Fan Assembly 8' Thru 10' Diameter
Series 3000HC HUB

				NO. OF BLADES											
ITEM	DESCRIPTION	TYPE	PART NO.	4	5	6	7	8	9	10	11	12	13	14	15
	1" Diameter Thru 2.62" Diameter Shaft	Q-2	Hub Assy. No. Part No.	3104HM7 79200	3105HM7 79202	3106HM7 79204	3107H H3710	3108H H3810	3109H H3910	3110H 79210	3111H 79212	3112H 79214	3113H 79216	3114H 79218	3115H 79220
	2.68" Diameter Thru 3.62" Diameter Shaft	R-2	Hub Assy. No. Part No.	3204HM7 79201	3205HM7 79203	3206HM7 79205	3207H H3720	3208H H3820	3209H H3920	3210H 79211	3211H 79213	3212H 79215	3213H 79217	3214H 79219	3215H 79221
1	Hub Plate (2 Per Hub)	Q-2	Part No.	C3394	C3395	C3396	61707	C3216	C3399	C3410	C3411	C3412	C3413	C3414	C3415
		R-2	Part No	C3294	C3295	C3296	61717	C3215	C3299	C3400	C3401	C3402	C3403	C3404	C3405
ITEM	DESCRIPTION	TYPE	PART NO	QUANTITY PER ASSEMBLY											
2	Hub Spool	Q-2	65101	1	1	1	1	1	1	1	1	1	1	1	1
		R-2	65102												
3	Bushing	Q-2	Specify Bore	1	1	1	1	1	1	1	1	1	1	1	1
		R-2													
4	Blade Clamp Half, Un-painted Aluminum (Standard)		65003	8	10	12	14	16	18	20	22	24	26	28	30
	Option 1, Epoxy coated Aluminum		65003S												
	Option 2, Epoxy coated Ductile Iron		65016												
	Option 3, Machined stainless steel		C3006												
5	Blade Clamp Bolt 5/8"-11 x 7" with Nut (Mech. Galv.)		70701	8	10	12	14	16	18	20	22	24	26	28	30
6	5/8" Lock washer (Mech. Galv.)		73730	8	10	12	14	16	18	20	22	24	26	28	30
7	Stop Plate Sub-Assembly	Q-2	65007	1	1	1	1	1	1	1	1	1	1	1	1
		R-2	65008												
8	Stop Plate Bolt 3/4"-16 x 4 1/2" (Mech. Galv.)		72427	1	1	1	1	1	1	1	1	1	1	1	1
9	3/4" Lock washj (Mech. Galv.)		73738	1	1	1	1	1	1	1	1	1	1	1	1
10	3/4" Flat Washer (Mech. Galv.)		73640	1	1	1	1	1	1	1	1	1	1	1	1
11	Hub Spool Bolt 3/8"-16 x 7" with Nut (Mech. Galv.)		70700	6	6	6	6	6	6	6	6	6	6	6	6
12	3/8" Lock washer (Mech. Galv.)		73723	6	6	6	6	6	6	6	6	6	6	6	6
13	Seal Disc Bolt 3/8"-16 X 1 1/2" (316 SS)		60274	4	4	4	4	4	4	6	6	6	6	6	6
14	3/8" Flat Washer (316 SS)		73623	4	4	4	4	4	4	12	12	12	12	12	12
15	3/8" Lock washer (316 SS)		73722	4	4	4	4	4	4	6	6	6	6	6	6
16	3/8" Hex Nut (316 SS)		72050	4	4	4	4	4	4	12	12	12	12	12	12
17	30" Dia. Seal Disc with Spacer Mounting		81100	1	1	1									
	Seal Disc Spacer Assy		B3565	1	1	1									
	Cap Screw,HH, 3/8"-16 x 3 1/2 (316 SS)		66216	4	4	4									
	3/8" Hex Nut (316 SS)		72050	4	4	4									
	3/8" Flat Washer (316 SS)		73623	4	4	4									
	3/8" Lock washer (316 SS)		73722	4	4	4									
	38" Dia. Seal Disc		81105				1	1	1	1	1				
42" Dia. Seal Disc		81110													
50" Dia. Seal Disc		D3439											1	1	1
18	Tuf-Lite II® Blade (White)		Varies	4	5	6	7	8	9	10	11	12	13	14	15

Highlighting shows original 3000H fans having the 23" hub encompassing 11-14 ft dia and 7-9 blades where the new HC blades and H blades are interchangeable for this original hub group (if all blades changed at one time).

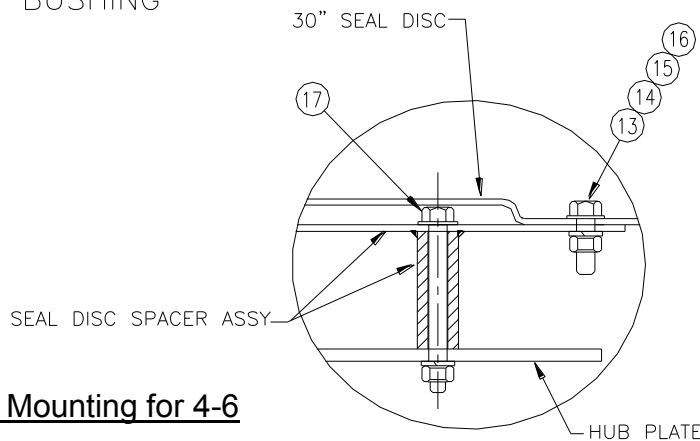
HUDSON PRODUCTS CORPORATION
Adjustable Pitch Fan Assembly 8' Thru 10' Diameter
Series 3000HC HUB

HUB MODEL NO. & SERIAL NO.



KEY, SET SCREW & CAP SCREWS
 FURNISHED WITH BUSHING

BLADE MODEL NO.
 SERIAL NO.
 DATE OF MANUFACTURE
 AND FINAL MOMENT
 BALANCE.



Seal Disc Spacer Mounting for 4-6

STANDARD MATERIALS & FINISHES

Blades: Fiberglass reinforced vinyl ester
Hub Spool: Ductile Iron, Zinc Rich Coating
Plates: Steel, Galvanized
Bushing: Malleable Iron
Seal Disc: Fiberglass Reinforced Polyester

Blade Clamps:
 Un-painted Aluminum (Standard)
 Epoxy Coated Aluminum (Option 1)
 Epoxy Coated Ductile Iron (Option 2)
 Machined Stainless Steel (Option 3)
Fasteners:
 Steel, Mech. Galvanized & 316 SS Opt.
 Complete Fan with 316 SS (Option 1)
 Complete Fan with K500 Monel (Option 2)

WHEN ORDERING, SPECIFY FAN DIAMETER, TYPE & NUMBER OF BLADES & SHAFT DIAMETER

EXAMPLE:



HUDSON

Products Corporation

9660 Grunwald Rd.

Beasley, Texas 77417-8600

Phone: 281-396-8100

Fax: 281-396-8388

1-800-634-9160 (24 Hours)

[EMAIL: HUDSONPRODUCTS@HUDSONPRODUCTS.COM](mailto:HUDSONPRODUCTS@HUDSONPRODUCTS.COM)

<http://WWW.HUDSONPRODUCTS.COM>

Hudson, Auto-Variable, Combin-Aire, Exact-A-Pitch, Fin-Fan, Heatflo, Hy-Fin, Split-Flo, Solo Aire, Stac-Flo, Steamflo, Thermflo, Tuf-Edge, Tuf-Lite, Tuf-Lite II, and Tuf-Lite III are registered trademarks of Hudson Products Corporation.

©2012 Hudson Products Corp. All Rights Reserved.